

Engine protection plate

KAWASAKI KLR 650

US-Model (2008-2018)

Item-No.: 810206 00 01 black



Assembling instructions

The kit includes the following parts:

Quant	item no.	description
1x	700007651	engine protection plate
1x	700010645	screw Kit:
2x		countersunk head screw M6x30
2x		countersunk head screw M6x35
4x		countersunk washer Ø6,4
2x		alu spacer Ø15xØ7x14 mm
2x		alu spacer Ø15xØ7x10 mm
1x		emblem Hepco & Becker ø30mm

Tip:

Fit all parts and screw on not too strong.
After mounting all parts, the screws should be tightened to the torque specified.
This guarantees, that the kit is mounted without tension.

Preparing:

Dismantle original plastic engine protection plate.



Engine protection plate

KAWASAKI KLR 650

US-Model (2008-2018)

Item-No.: 810206 00 01 black

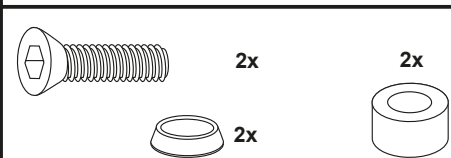


Assembling instructions

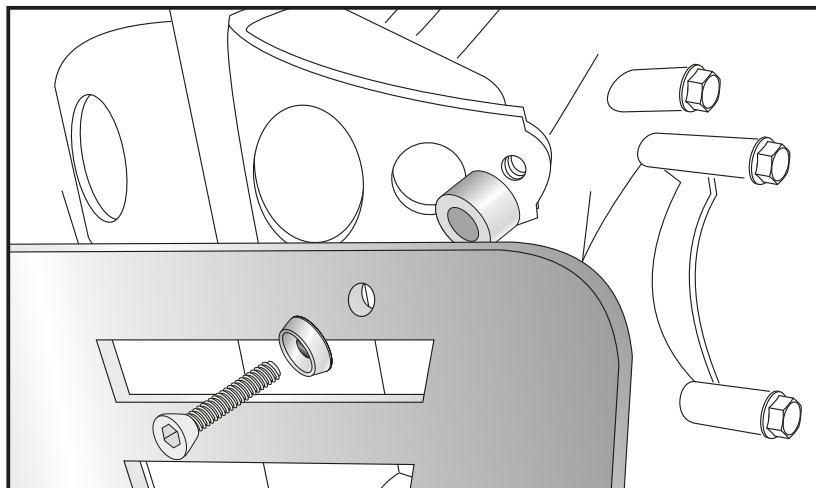
Fastening of the protection plate top:

The new protection plate uses the same fixing points then the original.

Use countersunk head screw M6x30 with countersunk washer Ø6,4.
Sandwich alu spacer Ø15xØ7x10 mm between frame and plate.



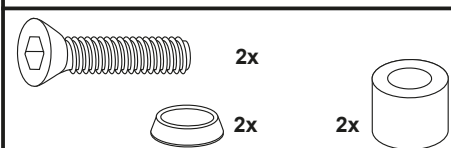
1



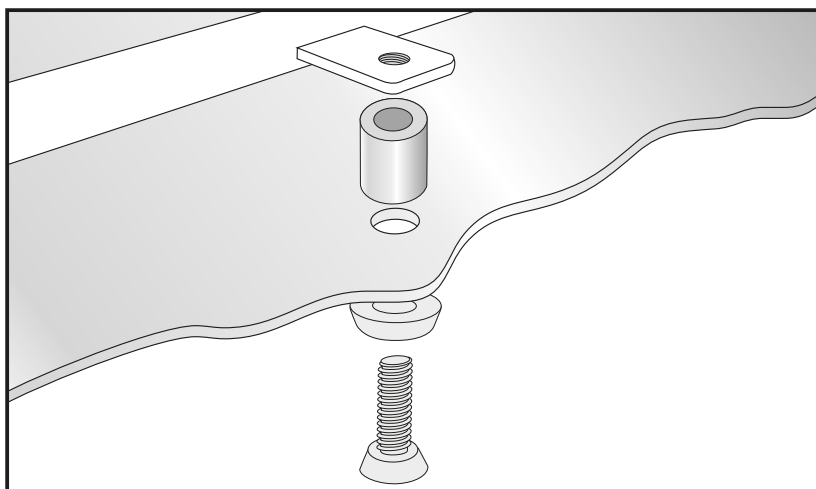
Fastening of the protection plate bottom:

The new protection plate uses the same fixing points then the original.

Use countersunk head screw M6x35 with countersunk washer Ø6,4.
Sandwich alu spacer Ø15xØ7x14 mm between frame and plate.



2



Control all screw connections after the assembling for tightness!
Please notice our enclosed service information.

More accessories: www.hepco-becker.de



Hepco & Becker GmbH
An der Steinmauer 6
D-66955 Pirmasens
Germany

Tel.: +49 6331 - 1453 - 100
Fax: +49 6331 - 1453 - 120
eMail: vertrieb@hepco-becker.de
www.hepco-becker.de